



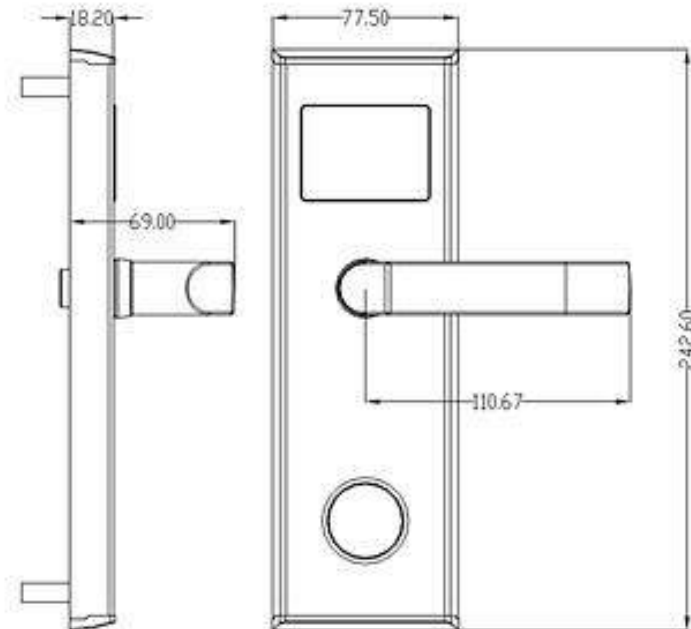
Shenzhen Eproer Tech Co.,Ltd.

Catalog for Hotel Door Lock

EP-A101-G



EP-A101-S



Material: Stainless Steel

Unlock Way: RFID Card and Mechanical Key

Card Type: T5557 (125kHz default), M1 (13.56MHz)

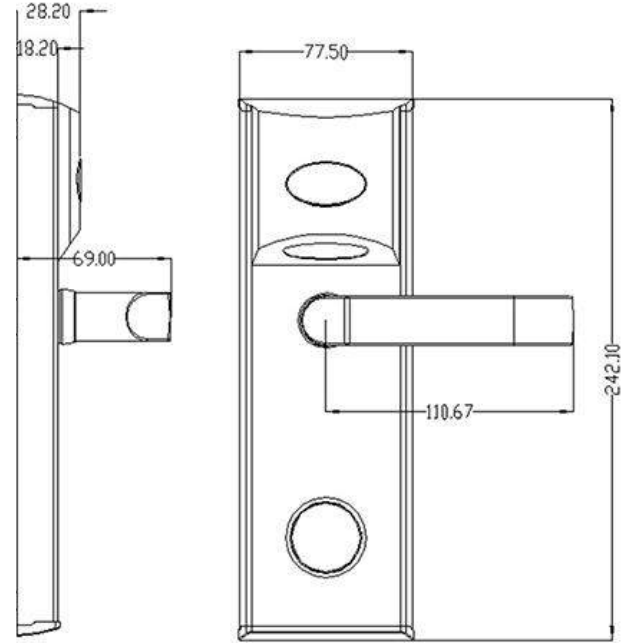
Lock Mortise: ANSI

Power: DC 6V (4 pcs* AA batteries)

EP-A101-1-G



EP-A101-1-S



Material: Stainless Steel

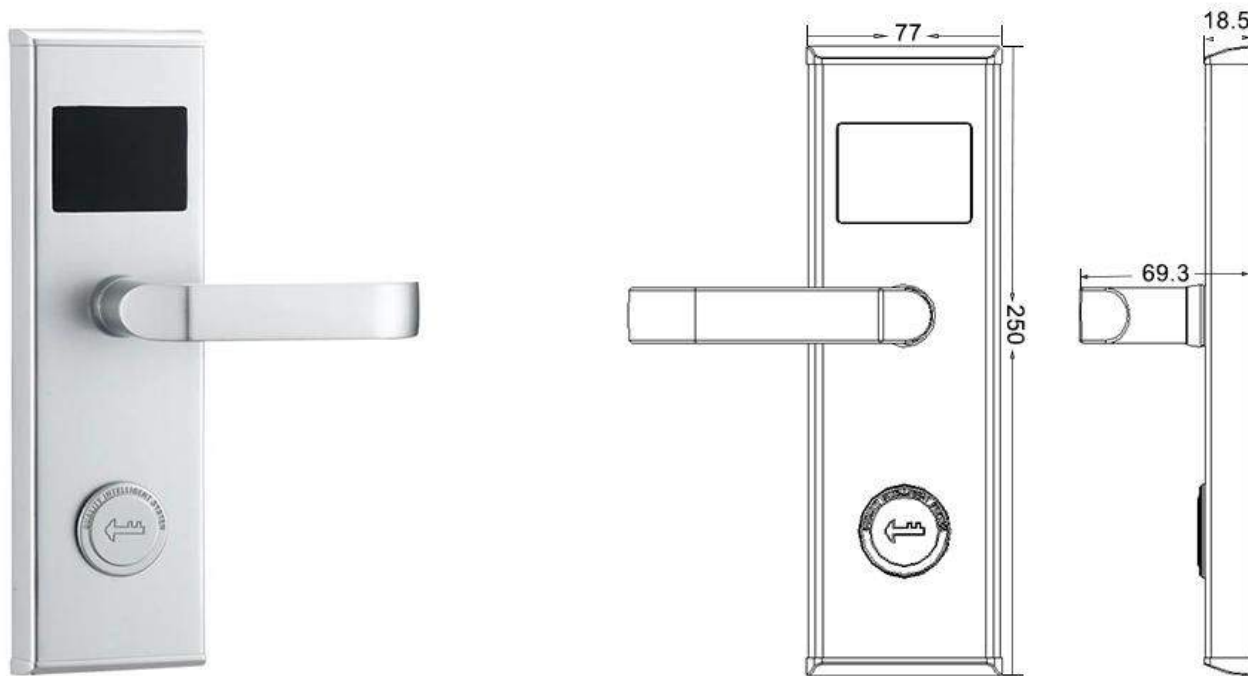
Unlock Way: RFID Card and Mechanical Key

Card Type: T5557 (125kHz default), M1 (13.56MHz)

Lock Mortise: ANSI

Power: DC 6V (4 pcs* AA batteries)

EP-A102



Material: Zinc Alloy

Unlock Way: RFID Card and Mechanical Key

Card Type: T5557 (125kHz default), M1 (13.56MHz)

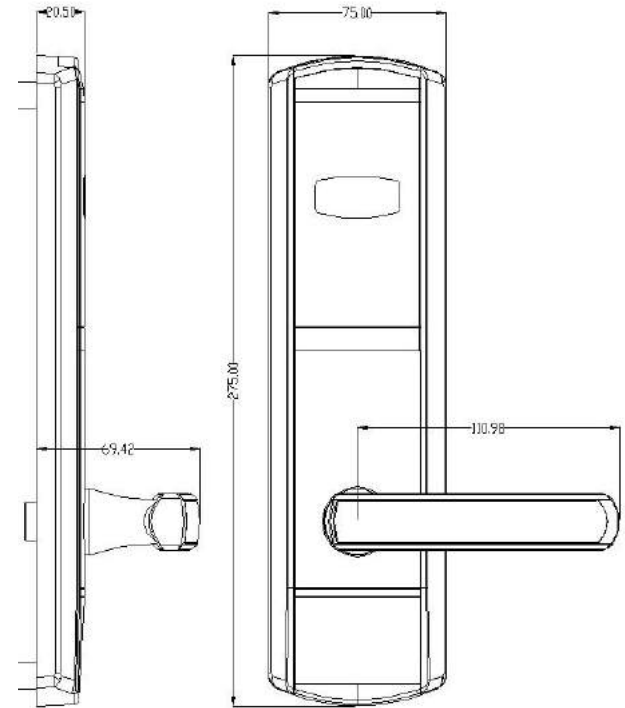
Lock Mortise: ANSI

Power: DC 6V (4 pcs* AA batteries)

EP-A103-S



EP-A103-G



Material: Zinc Alloy

Unlock Way: RFID Card and Mechanical Key

Card Type: T5557 (125kHz default), M1 (13.56mHz)

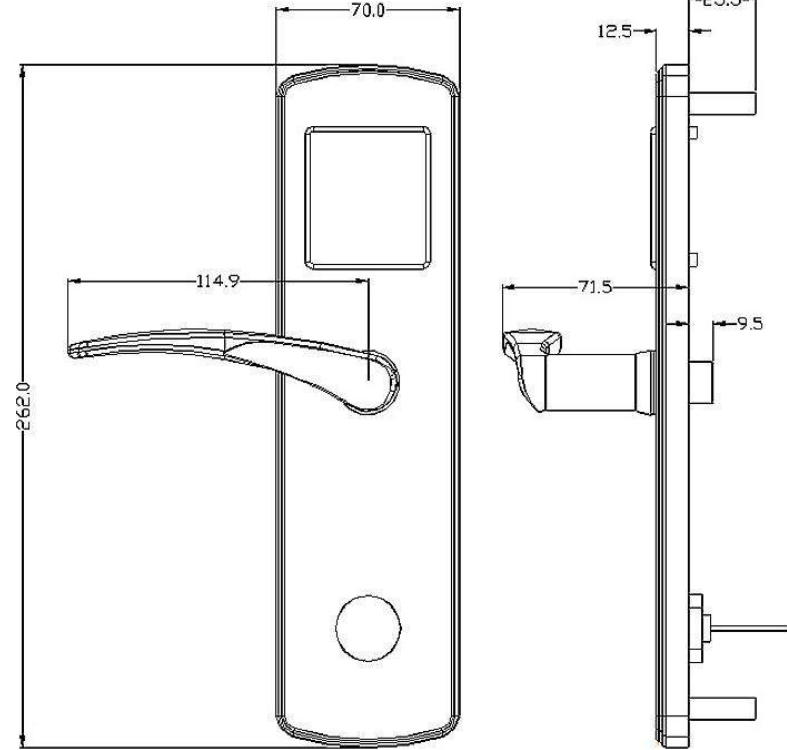
Lock Mortise: ANSI

Power: DC 6V (4 pcs* AA batteries)

EP-A105-G



EP-A105-S



Material: Zinc Alloy

Unlock Way: RFID Card and Mechanical Key

Card Type: T5557 (125kHz default), M1 (13.56mHz)

Lock Mortise: ANSI

Power: DC 6V (4 pcs* AA batteries)

EP-A106-G



EP-A106-S



Material: Zinc Alloy

Unlock Way: RFID Card and Mechanical Key

Card Type: T5557 (125kHz default), M1 (13.56mHz)

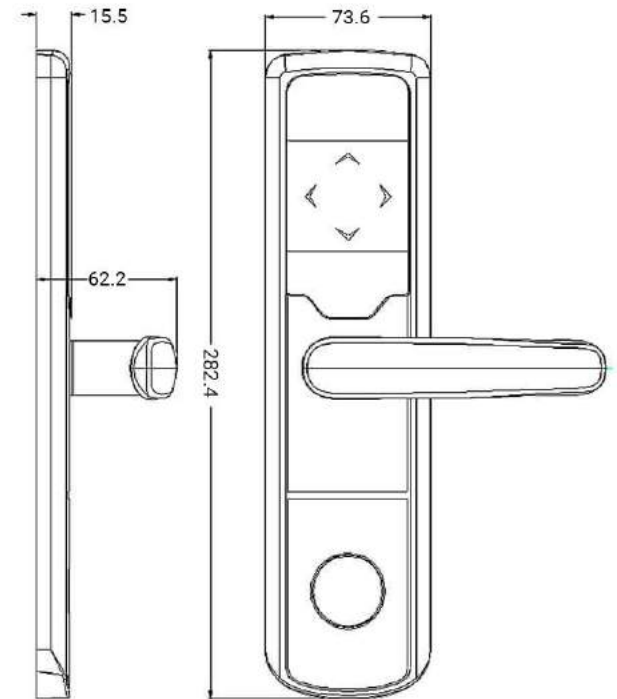
Lock Mortise: ANSI

Power: DC 6V (4 pcs* AA batteries)

EP-A107-G



EP-A107-S



Material: Zinc Alloy

Unlock Way: RFID Card and Mechanical Key

Card Type: T5557 (125kHz default), M1 (13.56mHz)

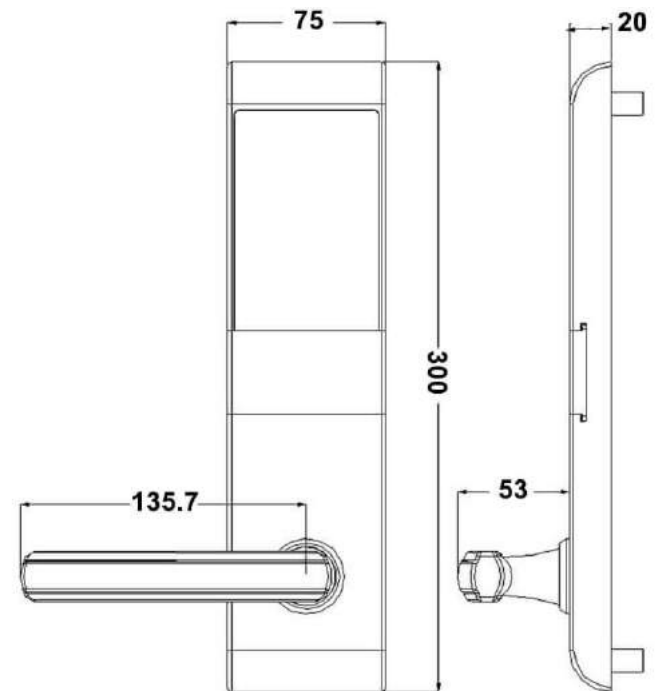
Lock Mortise: ANSI

Power: DC 6V (4 pcs* AA batteries)

EP-A108-G



EP-A108-S



Material: Zinc Alloy

Unlock Way: RFID Card and Mechanical Key

Card Type: T5557 (125kHz default), M1 (13.56MHz)

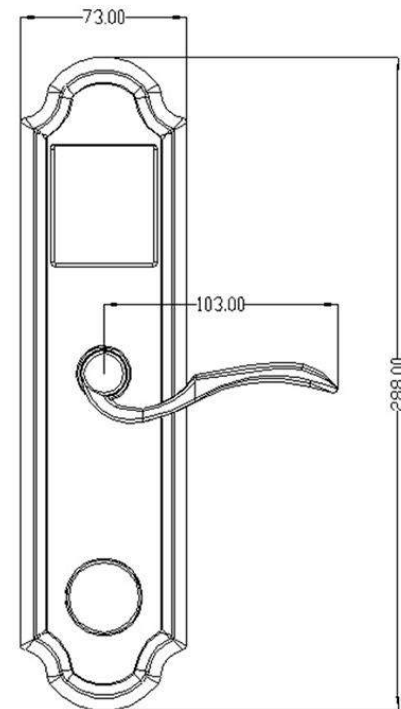
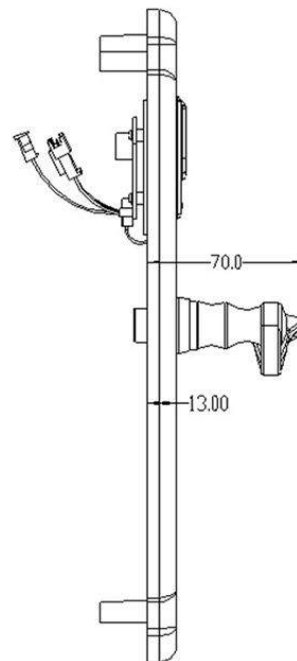
Lock Mortise: ANSI

Power: DC 6V (4 pcs* AA batteries)

EP-A110-G



EP-A110-S



Material: Zinc Alloy

Unlock Way: RFID Card and Mechanical Key

Card Type: T5557 (125kHz default), M1 (13.56mHz)

Lock Mortise: ANSI

Power: DC 6V (4 pcs* AA batteries)

EP-A111-G



EP-A111-S



Material: Zinc Alloy

Unlock Way: RFID Card and Mechanical Key

Card Type: T5557 (125kHz default), M1 (13.56mHz)

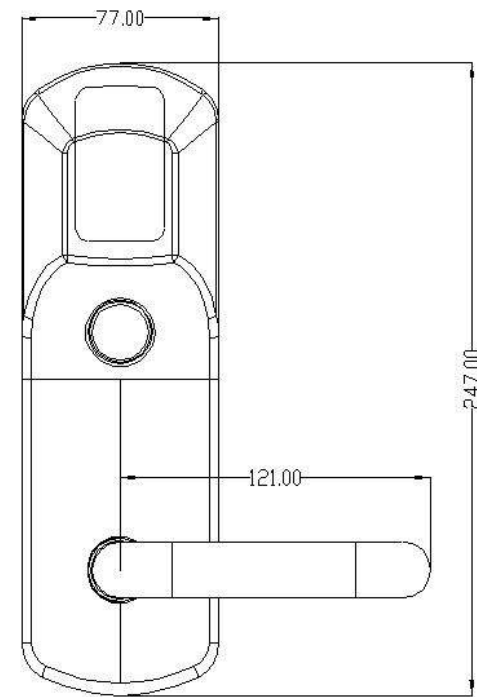
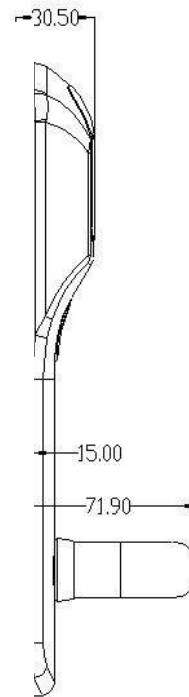
Lock Mortise: ANSI

Power: DC 6V (4 pcs* AA batteries)

EP-A116-G



EP-A116-S



Material: Zinc Alloy

Unlock Way: RFID Card and Mechanical Key

Card Type: T5557 (125kHz default), M1 (13.56mHz)

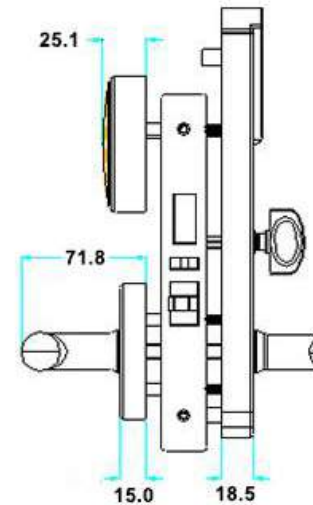
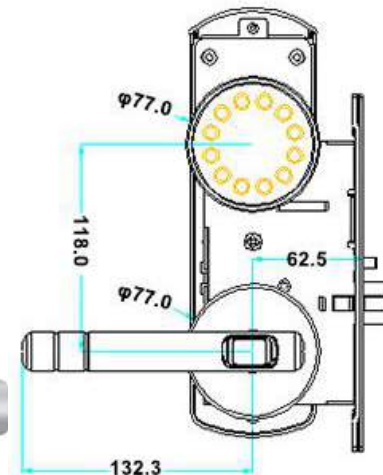
Lock Mortise: ANSI

Power: DC 6V (4 pcs* AA batteries)

EP-A118-G



EP-A118-S



Material: Zinc Alloy

Unlock Way: RFID Card and Mechanical Key

Card Type: T5557 (125kHz default), M1 (13.56mHz)

Lock Mortise: ANSI

Power: DC 6V (4 pcs* AA batteries)

Features

Automatic Lock

After door is opened and handle is released, the lock will lock itself automatically.

If reading card but not open the door, the lock will lock itself automatically in 6 seconds

Door-Closing Remind

If you entered the room but forget to close the door or if the door is not closed completely, there will be “Di-Di” sound from the lock to remind you close it.

Low Battery Alert

If low battery, there will be beeps to remind you to change batteries, and you can open the door for about 100 times before the batteries are dead.

Emergency Unlock

If battery exhausted or PCB defective, you can use mechanical key to open the door for emergency.

Door-Opening Record

The lock will save the latest 255 pieces of door-opening record. You can know who/when/how opened the door. This record could be of help if theft or other security problem happens.

ANSI Standard Mortise

Linked-five-latch structure, reliable and stable. With anti-plug latch, prevent people trying to open the door illegally with business cards, ID card, etc.

Do-Not-Disturb Alert

If guest lock the door inside with deadbolt, blue LED light on the lock panel will flash to alert that the guest need privacy time, and waiter can not open the door.

Real-Time Clock

Clock function of the lock can effectively control the validity of guest card to prevent guest default on room rate. The key card get invalidated after check-in time expires.

ANSI Mortise



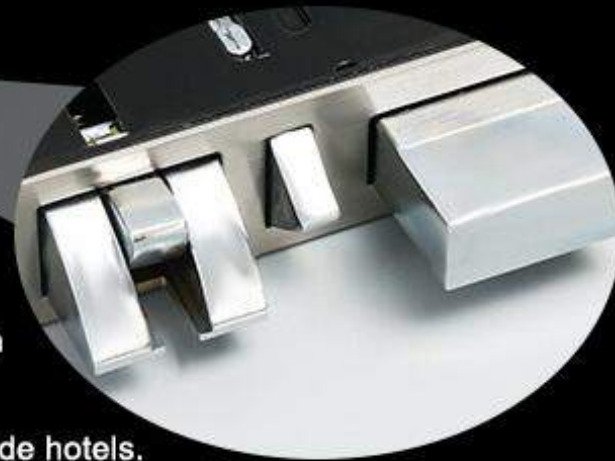
ANSI Standard Mortise

Linked-five-latches structure.
Reliable and stable performance.

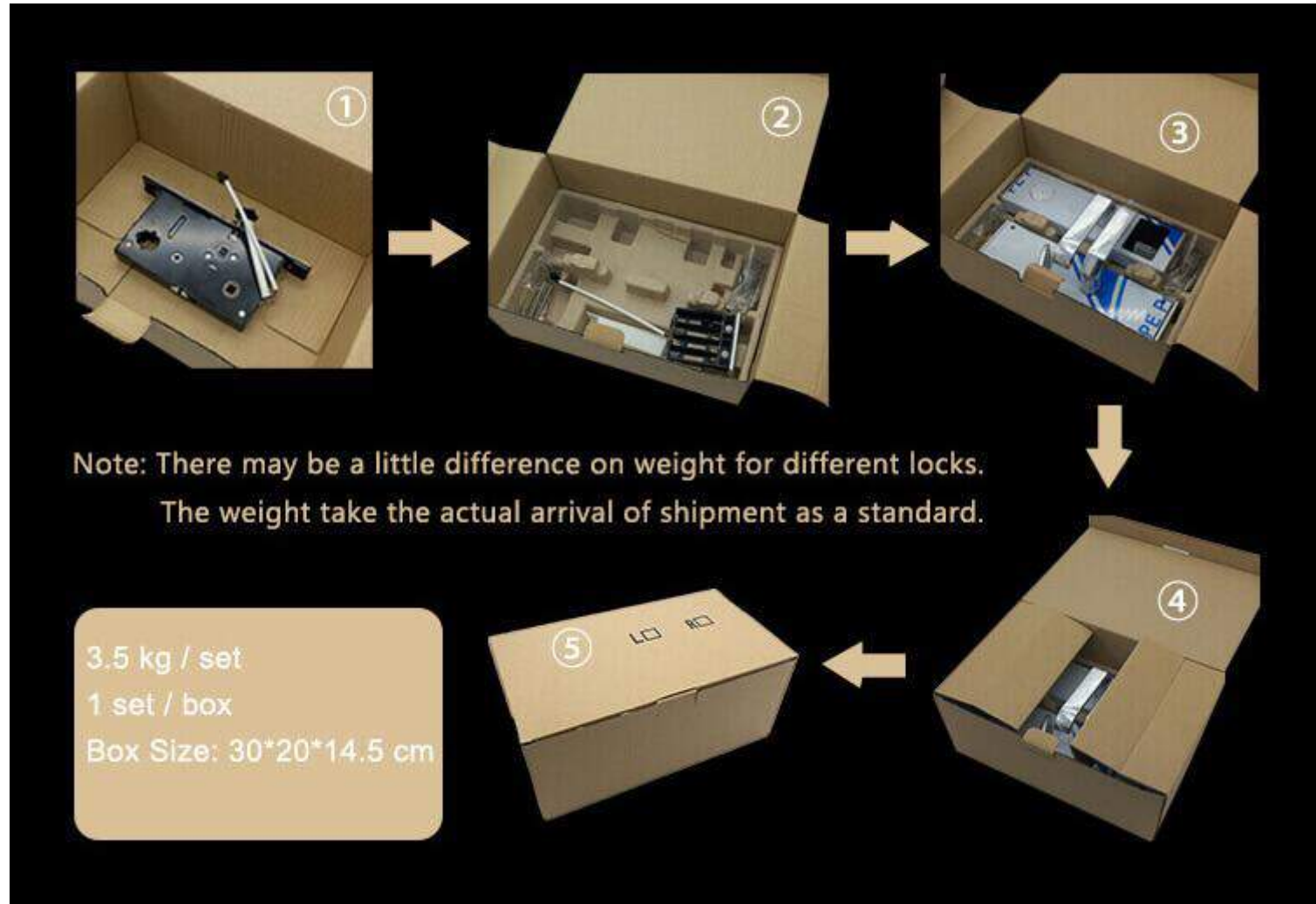
Anti-Plug Function

Prevent people trying to open the door illegally with
business cards, ID card, etc.

PVD plating surface, rust-proof, applicable to seaside hotels.

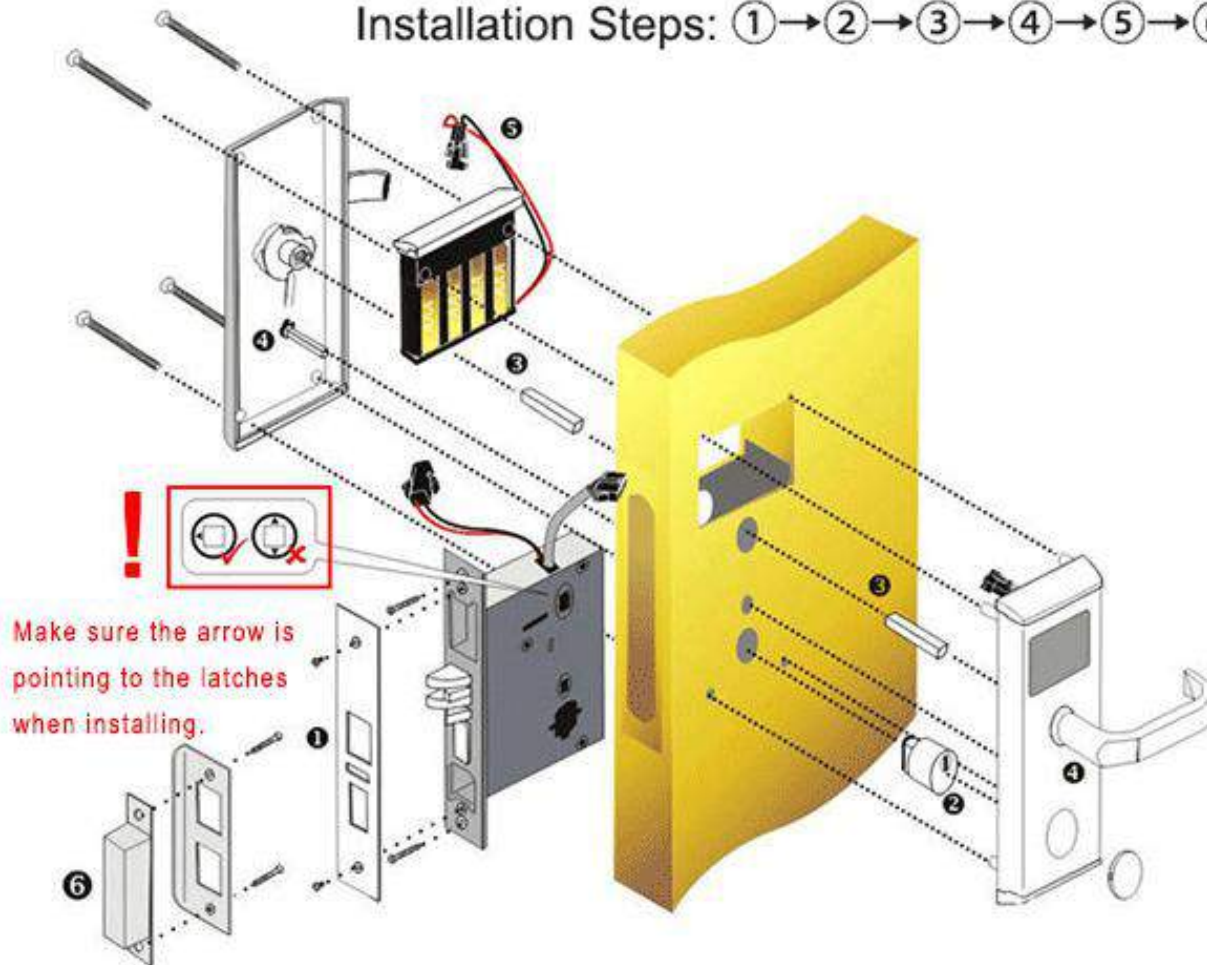


Package

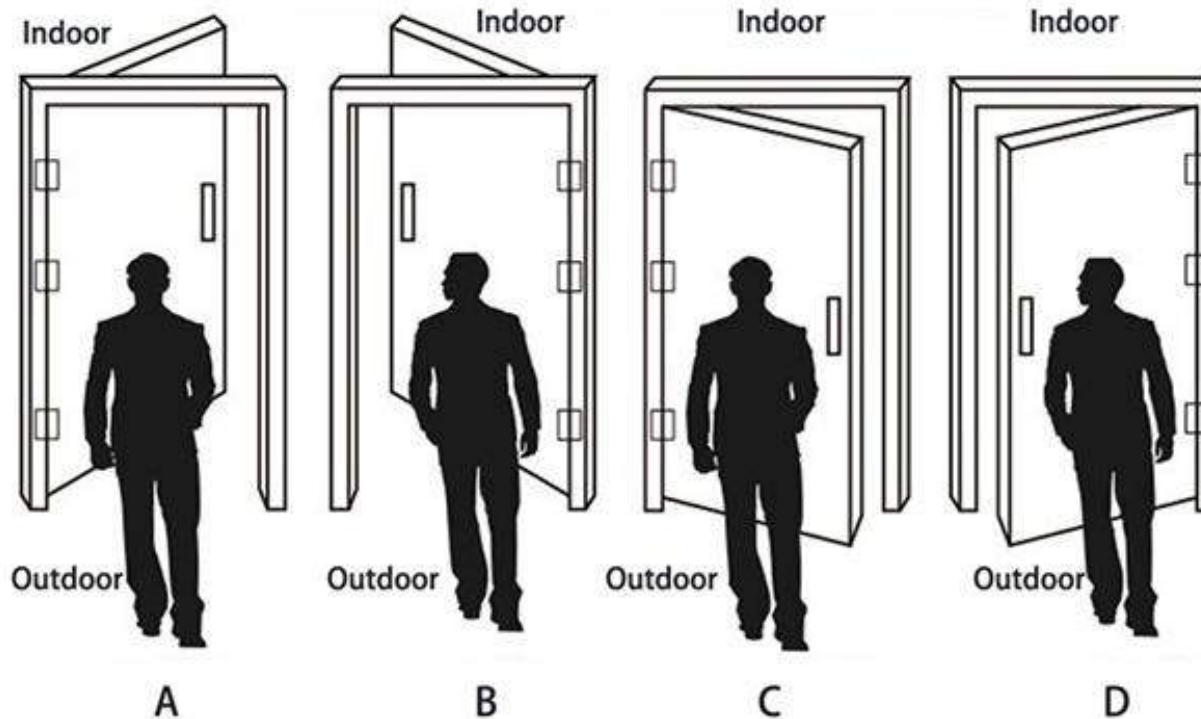


Installation

Installation Steps: ① → ② → ③ → ④ → ⑤ → ⑥



Opening Way



A: Left hand pushing the door to open

B: Right hand pushing the door to open

C: Left hand pulling the door to open

D: Right hand pulling the door to open

➤ Let us know which opening way you prefer, so we can ship correct lock to you!

Contact Us

Talk about your project, for home/hotel or other, contact for Free customized solutions.

Website: www.eproer.com

Email: sales@eproer.com

WhatsApp: +86 186 8033 6637